

QLA-1000-18000-30-40

1~18GHz, 30dB, 4dB

Features:
* Broad Band
* Low Noise

Applications:
* Wireless
* Receiver
* Laboratory Test
* Radar

Electrical

Frequency:	1~18GHz
Gain:	30dB min.
Gain Flatness:	±1.5dB typ.
Output Power (P1dB):	+10dBm min.
Noise Figure:	4dB typ.
Spurious:	-60dBc max.
VSWR:	1.5 typ.
Voltage:	+12V DC
Current:	180mA typ.
Impedance:	50Ω
Input Power:	+15dBm max.

Mechanical

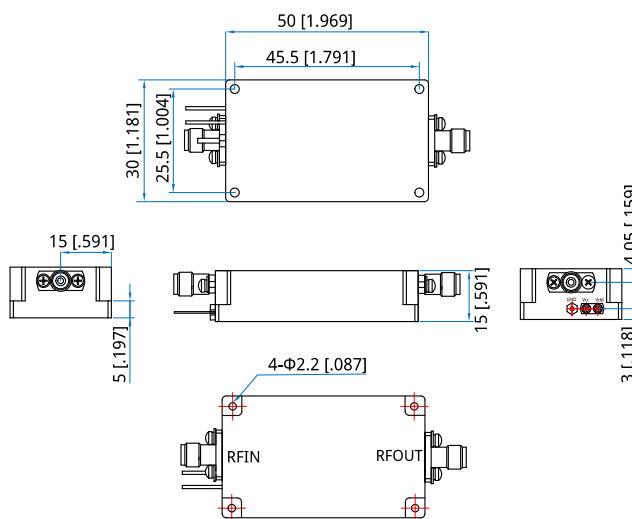
Size*1:	50*30*15mm 1.969*1.181*0.591in
Weight:	200g max.
RF Connectors:	SMA Female
Mounting:	4-Φ2.2mm through-hole

[1] Exclude connectors.

Environmental

Operating Temperature:	-20~+50°C
Non-operating Temperature:	-40~+85°C

Outline Drawings



Unit: mm [in]

Tolerance: ±0.2mm [±0.008in]

How To Order

QLA-1000-18000-30-40

Customization is available upon request.